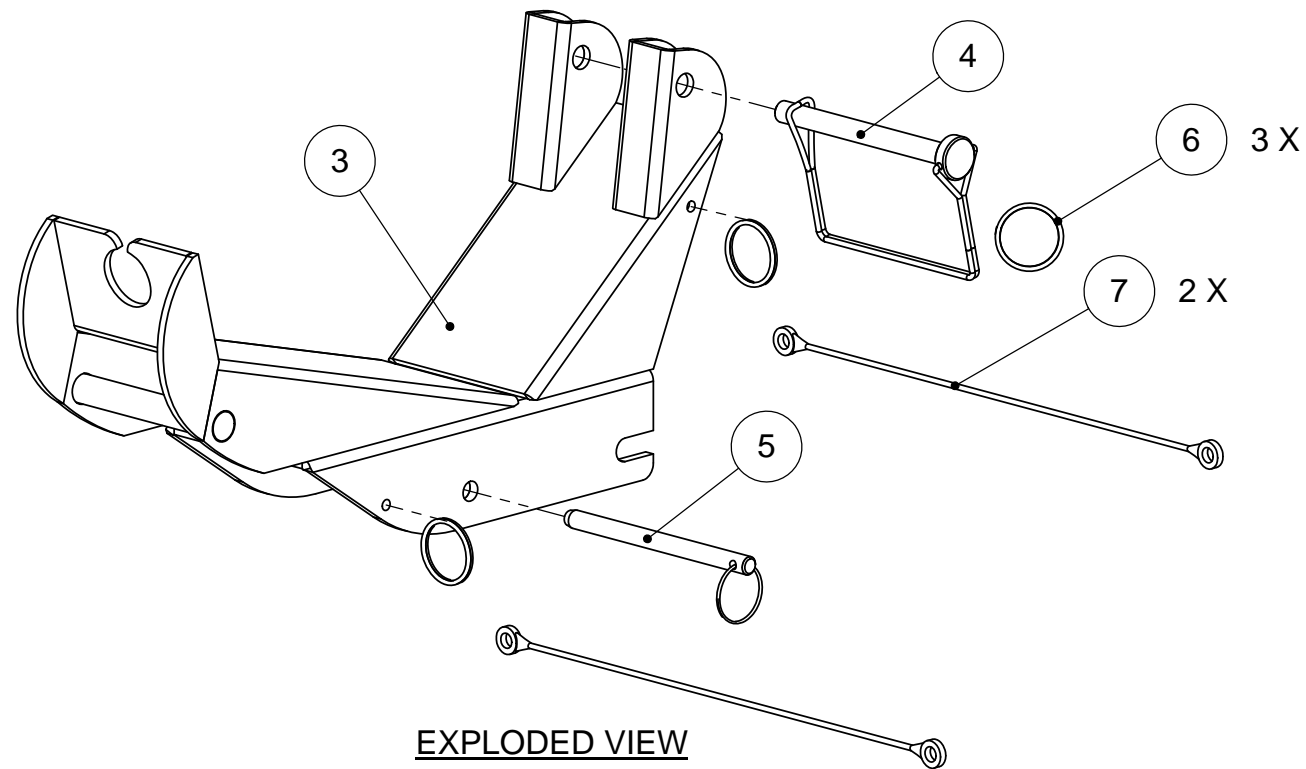
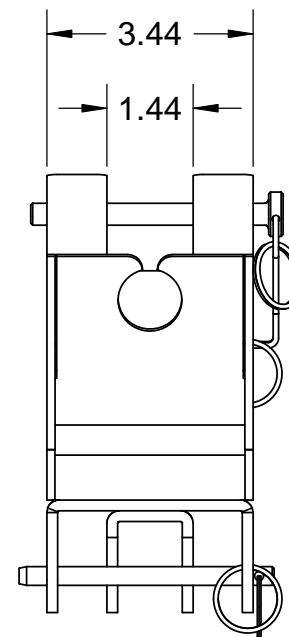


"THIS DOCUMENT AND THE DATA DISCLOSED HEREIN OR HERewith IS NOT TO BE REPRODUCED, USED, OR DISCLOSED IN WHOLE OR IN PART TO ANYONE WITHOUT THE PERMISSION OF THE T.A. PELSUE COMPANY."

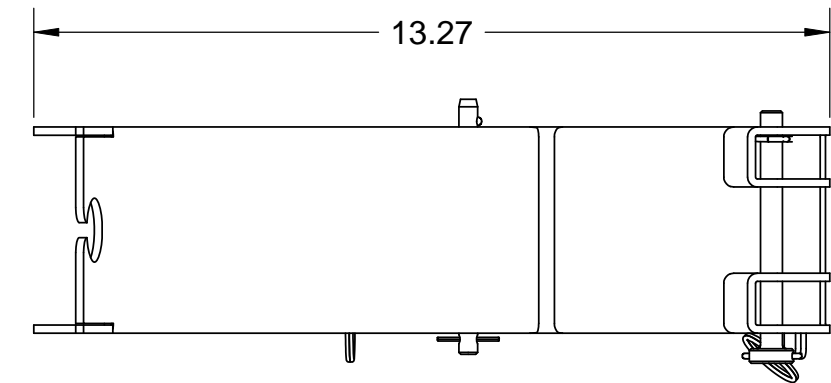
REVISIONS				
ZONE	REV.	DESCRIPTION	DATE	B Y
ALL	00	INITIAL RELEASE	03-10-11	CHAU



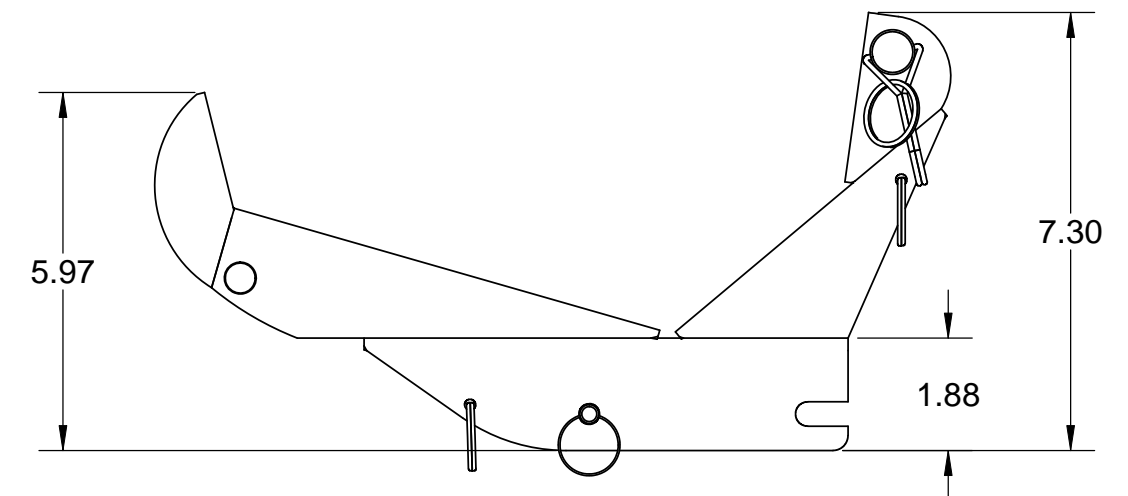
EXPLODED VIEW



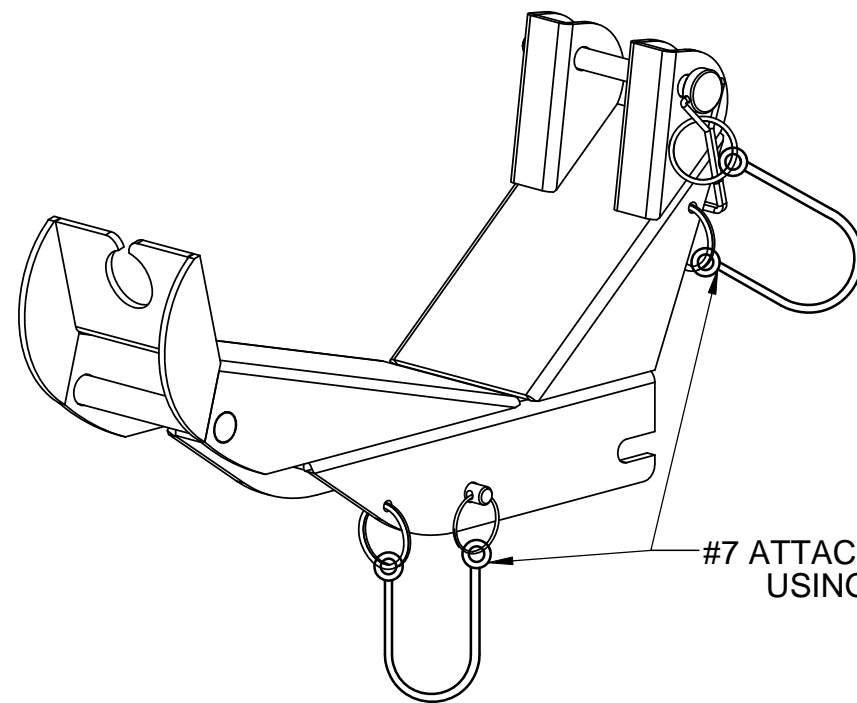
FRONT VIEW



TOP VIEW



SIDE VIEW




DIMETRIC VIEW

#7 ATTACHED TO #3, #4, & #5 USING KEY RINGS #6

QTY. REQD.	PART OR IDENTIFYING NO.	NOMENCLATURE OR DESCRIPTION	MATERIAL SPECIFICATION	ITEM NO.
2	125471-310	LANYARD - NYLON, TYPE 3, 0.093" DIAM. X 10" LONG	PURCHASED	7
3	104538-001	RING - KEY, 1" DIA, HEAT TREATED, PLATED	PURCHASED	6
1	121336-400	PIN - BALL DETENT, 5/16" DIAMETER X 4.00" GRIP	PURCHASED	5
1	120353-001	PIN - SAFETY SNAP, 3/8" DIA X 3-7/16" LONG, SQUARE WIRE	PURCHASED	4
1	501176-001	WELDMENT - MOUNTING BRACKET, FOR FCP 3-WAY SRL	MFD: REF. DWG #501176	3

PARTS LIST

UNLESS OTHERWISE SPECIFIED DIMENSIONS ARE IN INCHES TOLERANCES ARE: FRACTIONS ± 1/16 DECIMALS X.XX ± 0.03 ANGLES ± 2 X.XXX ± 0.010 DO NOT SCALE DRAWING		CONTRACT NO. HOISTS		 2500 SOUTH TEJON STREET ENGLEWOOD, COLORADO 80110 USA	
TREATMENT	N/A	APPROVALS	DATE	TITLE MOUNTING BRACKET - FCP 3-WAY SRL MOUNTS TO STANDARD PELSUE QUICK RELEASE PLATFORM HOIST APPLICATIONS	
FINISH	N/A	DRAWN: CHAU	03-10-11	SIZE B	FSCM NO.
PART NUMBER	MB-FSB	LATEST REVISION: N/A	N/A	DWG. NO.	501178
		CHECKED & RELEASED: DUKE	03-16-11	REV.	00
		DRIVE: ENG:\		SCALE	5:16
				SHEET	1 OF 1